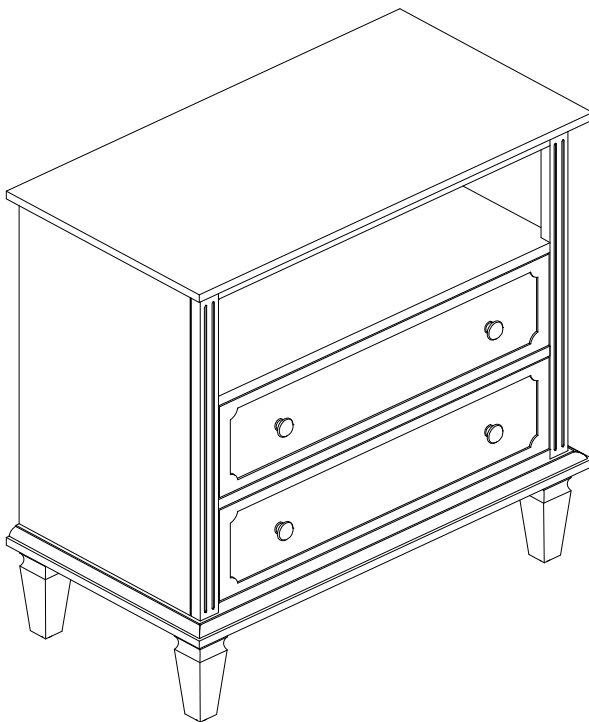


HULALA

H O M E



ITEM NO.NSJY0539

NOTE:

This brochure contains IMPORTANT safty info. Please read and keep for future reference.

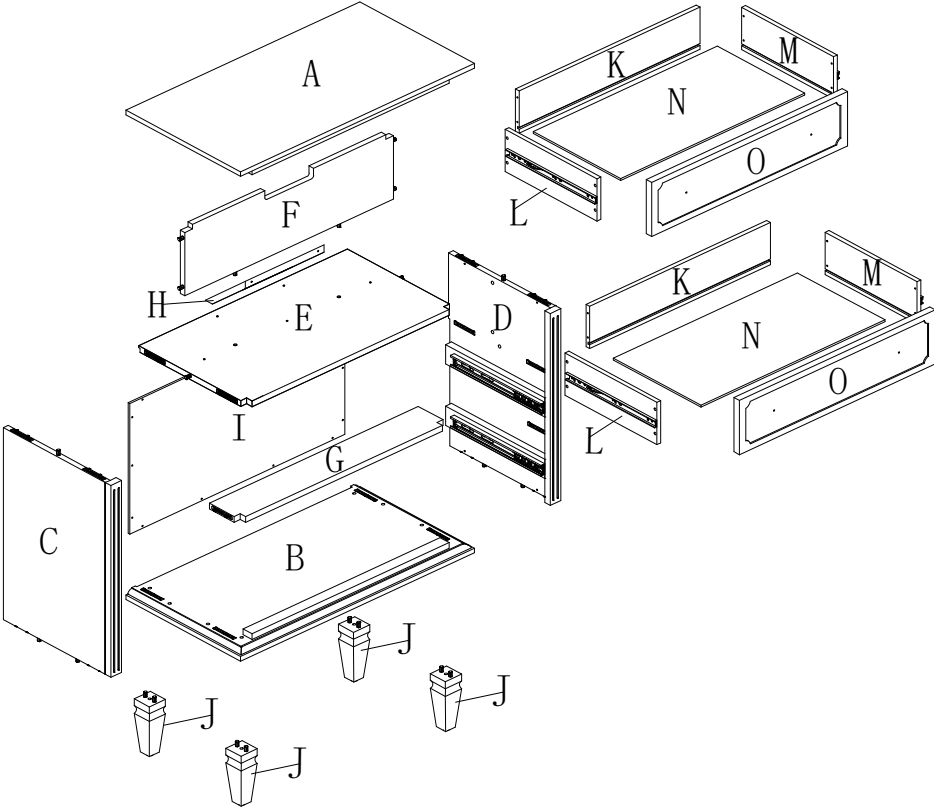
MAINTAINANCE AND WARNING

- 1.Keep furniture away from heat sources.
- 2.Do not clean furniture with harsh cleaner or polishes.Do not use detergents,solvents,abrasives,spray packs or leather cleaner. Use non-color mild soa with warm water to clean spills(Mix 1:10 soap to water).
- 3.Do not place furniture under direct sunlight,material will possibly fade over time.
- 4.Do not use on site dry cleaning machine.Children should not climb or jump on the furniture.
- 5.Do not write on furniture that is not protectedby a padded barrier.
- 6.Not for commercial use,only for residential use.



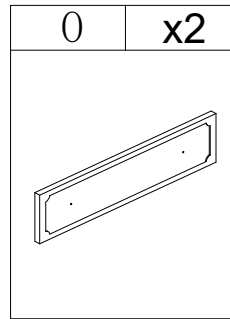
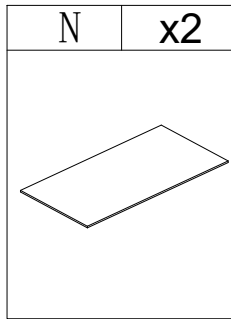
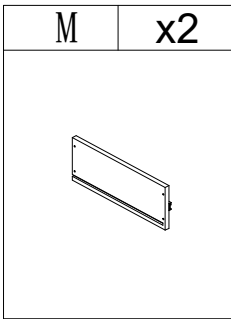
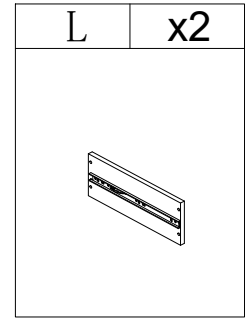
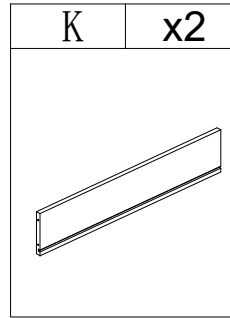
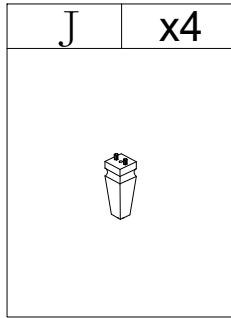
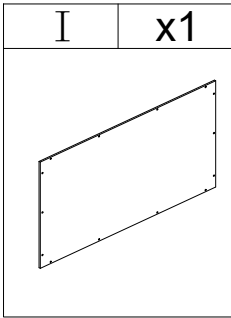
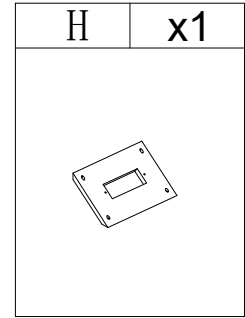
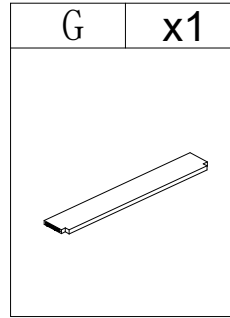
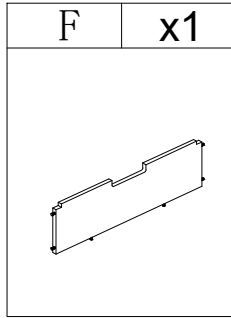
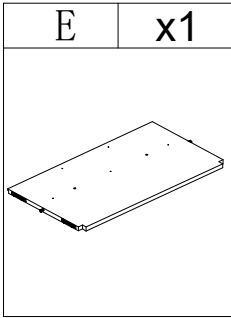
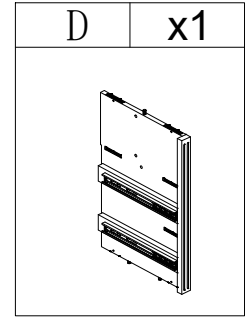
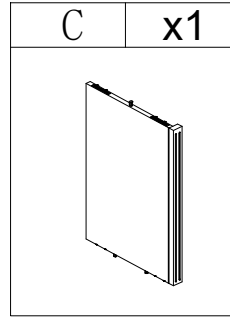
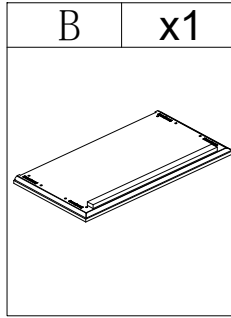
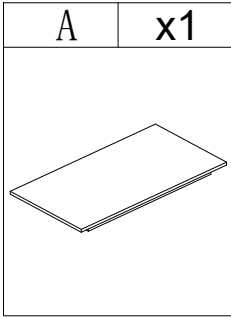
Weight Limitation
70 LBS

EXPLOSIVE VIEW





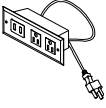





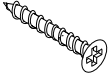



2 PERSONENS

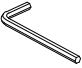
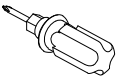
PARTS LIST 1






HARDWARE LIST

#1	x4	#2	x2	#3	x4	#4	x23	#5	x1	#6	x14
											
Ø4*22MM		Ø3*12MM				Ø4*25MM				Ø3*15MM	
#7	x4	#8	x2	#9	x2	#10	x1	#11	x2	#12	x2
											
Ø6*40MM								Ø4*39MM		Ø3*20MM	

TOOL LIST

#13	x1	#14	x1
			
M6			

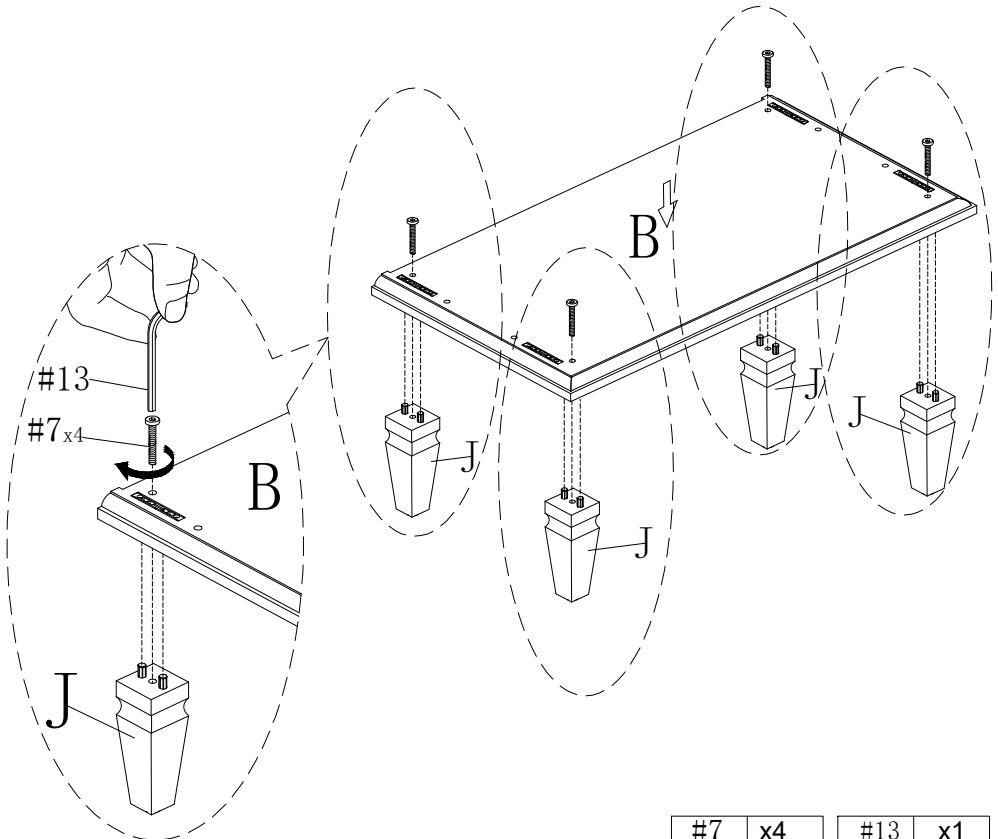
HARDWARE SPARE LIST


#7	x1	#4	x1	#6	x1
					
Ø6*40MM		Ø4*25MM		Ø3*15MM	

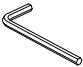
ASSEMBLY INSTRUCTIONS

STEP-1

1. install leg J on of bottom panel B, ensure the corresponding holes are aligned and fix with screw #7, then tighten the screw with an Allen key #13.



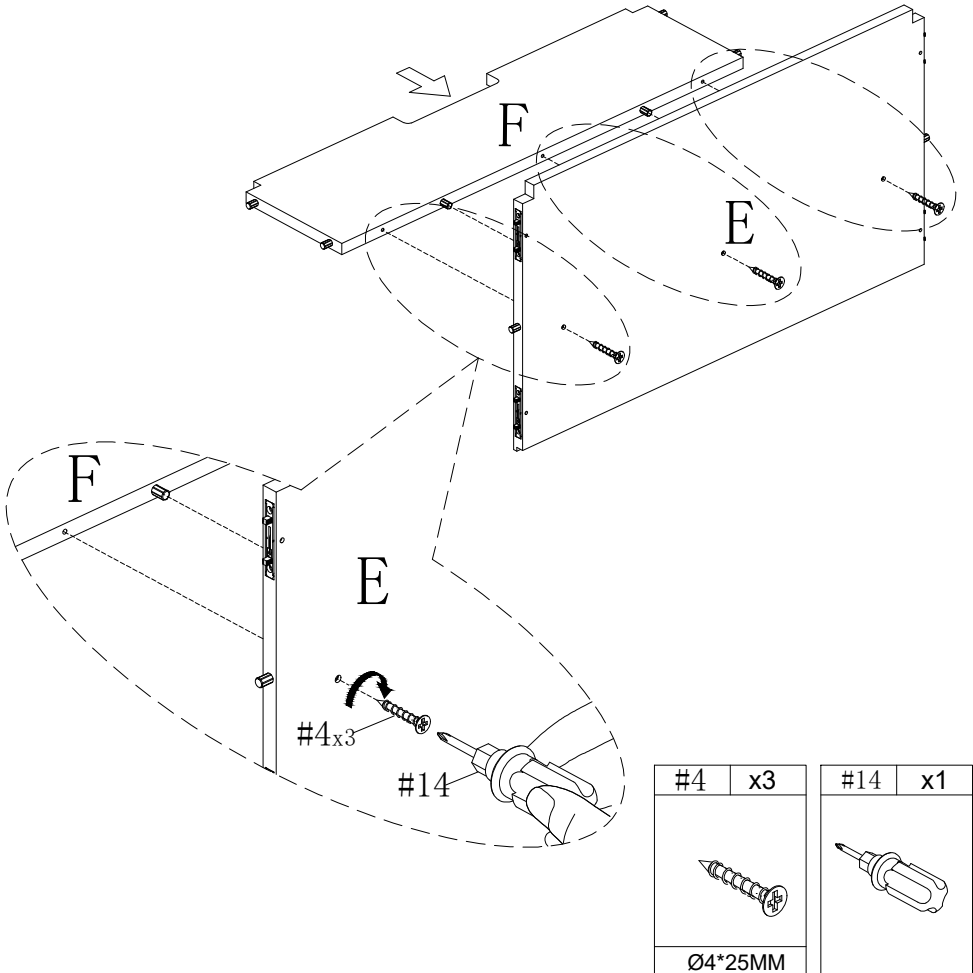
#7	x4
	
Ø6*40MM	

#13	x1
	
M6	

ASSEMBLY INSTRUCTIONS

STEP-2

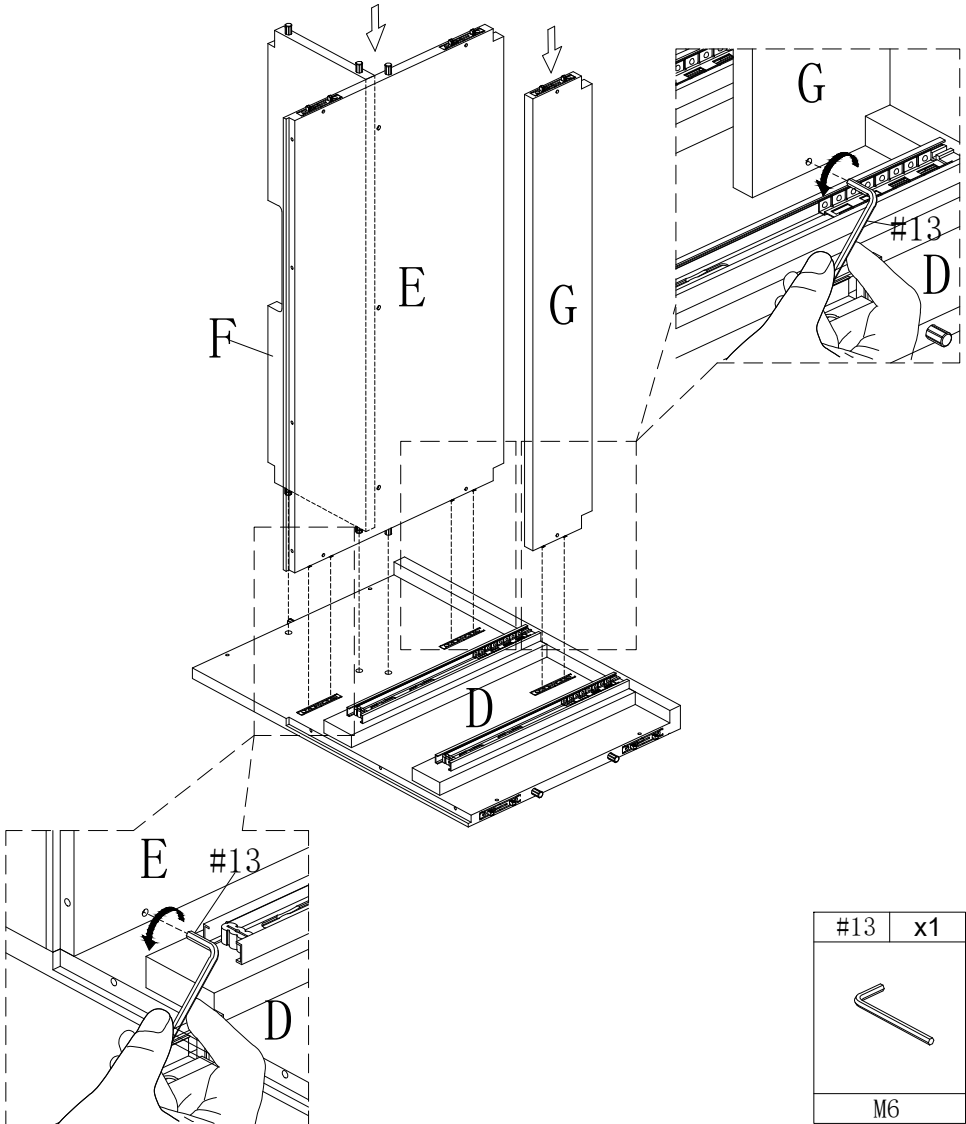
1. Insert part (F) into part (E), make sure all holes align .aligned and fix with screw #4 then tighten the screw with an screwdriver #14.



ASSEMBLY INSTRUCTIONS

STEP-3

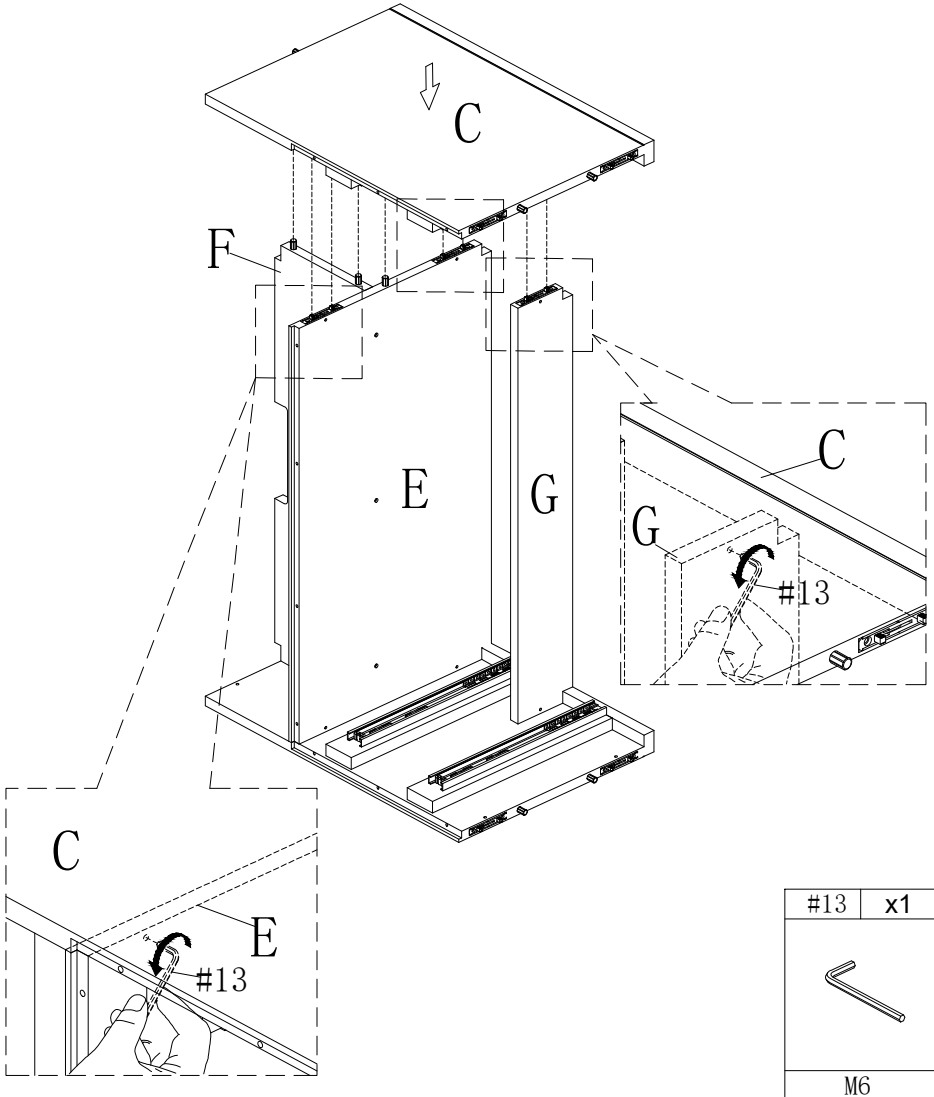
1.Insert side panel (E&F&G) into panel (D),make sure all holes aligned and then tighten it with allen key #13 as picture show.



ASSEMBLY INSTRUCTIONS

STEP-4

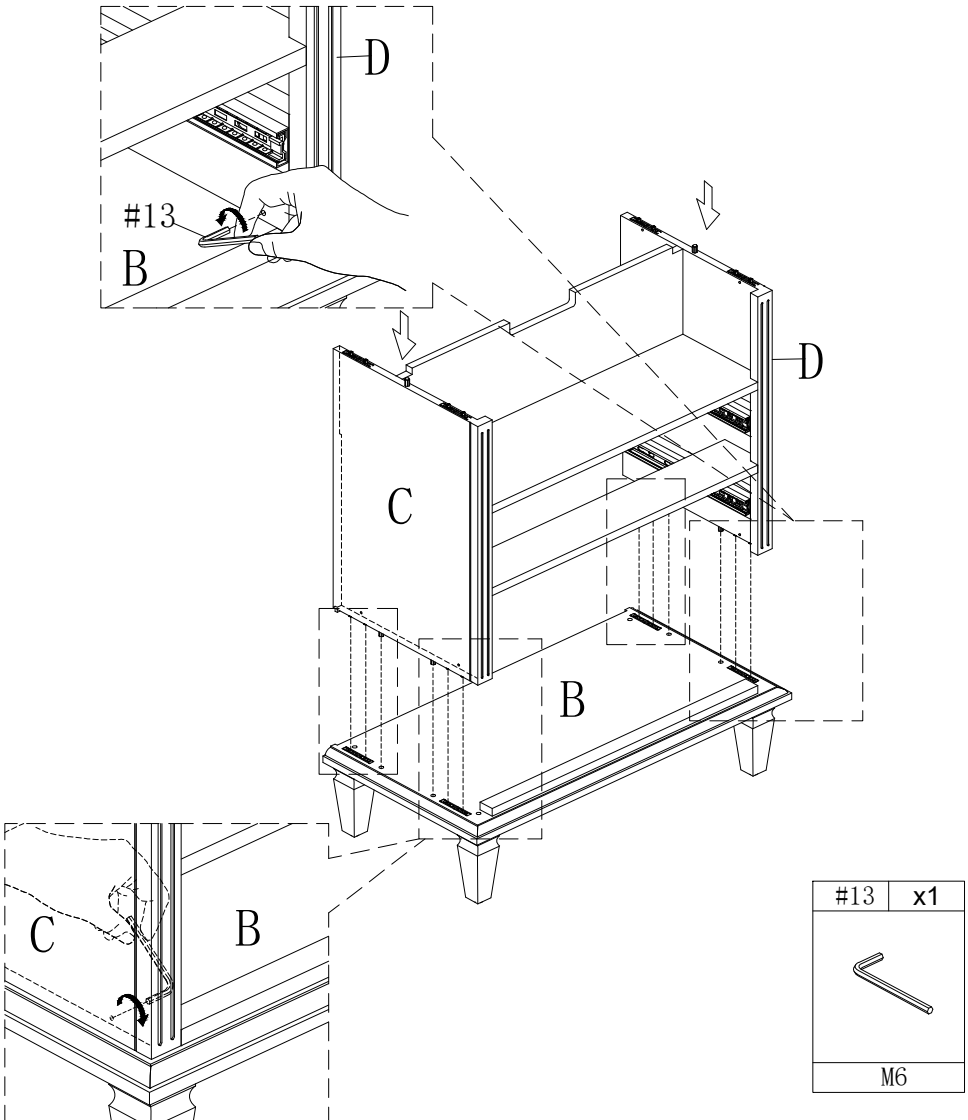
1. Insert side panel (C) into the corresponding hole of preassembled step 3, make sure all holes aligned and use allen key #13 to tighten it as picture show.



ASSEMBLY INSTRUCTIONS

STEP-5

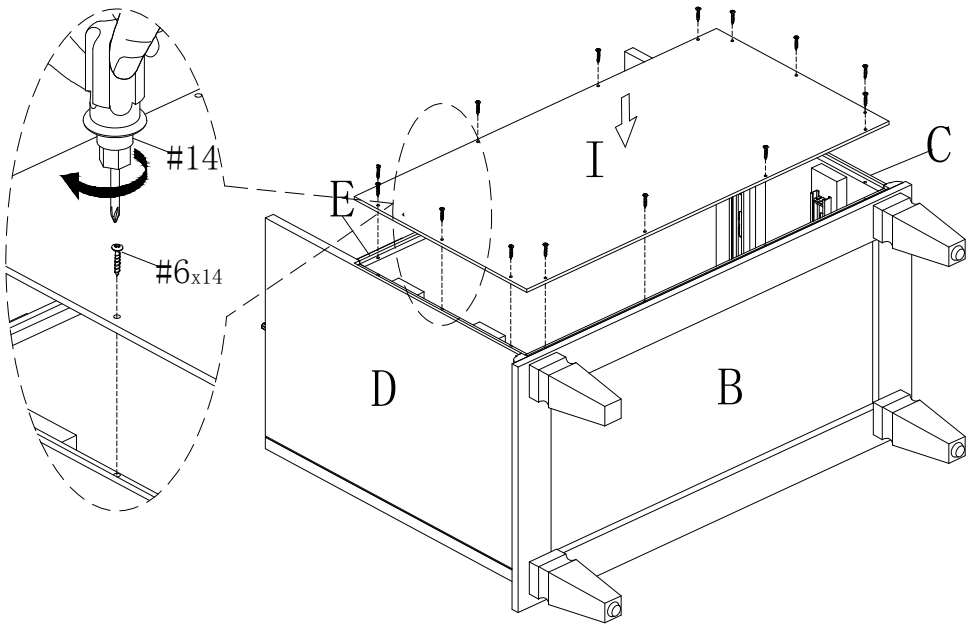
1. Insert preassembled step 4 into the corresponding hole of bottom panel (B), make sure all holes aligned and use allen key #13 to tighten it as picture show.




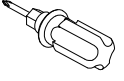
ASSEMBLY INSTRUCTIONS

STEP-6

1.insert back panel(I) into the groove of preassembled step 5 back,make sure all holes aligned and use screw#6 to attach them , tighten screw #6 with screwdriver#15.



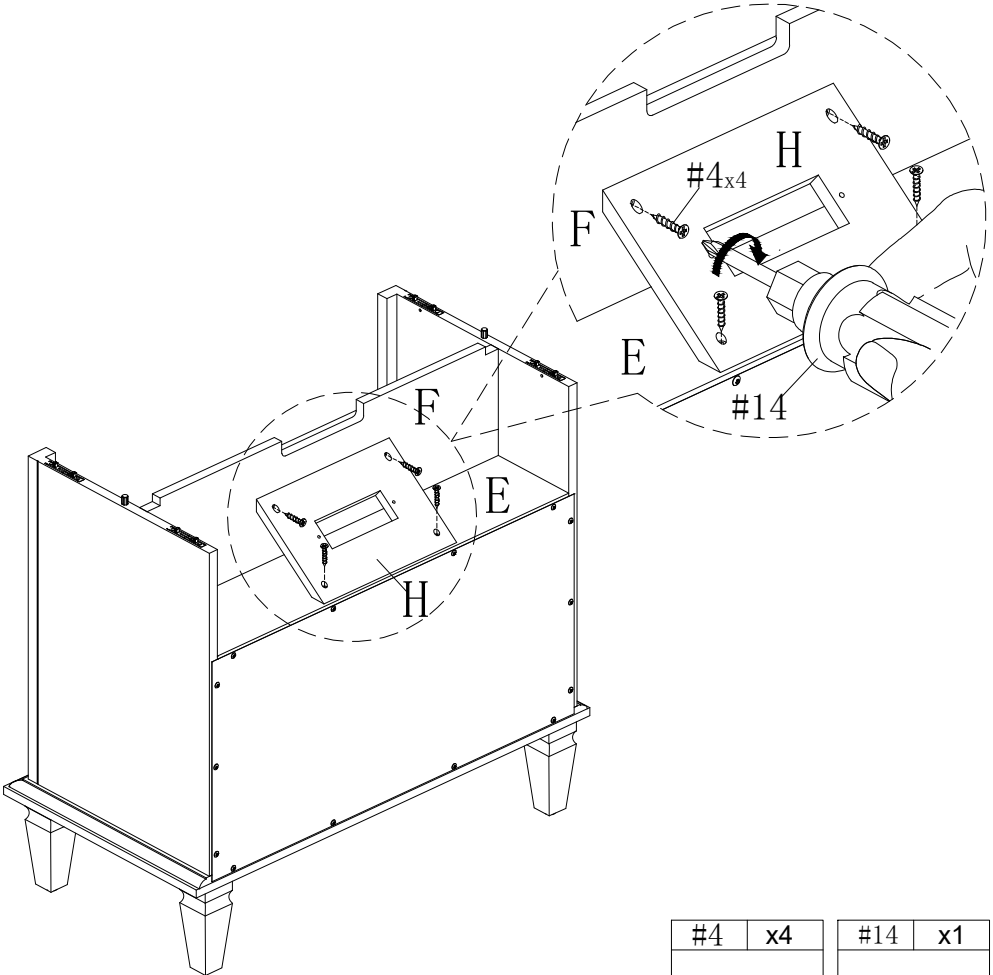
#6	x14
	
Ø3*15MM	


#14	x1
	

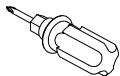
ASSEMBLY INSTRUCTIONS

STEP-7

1.insert part (H) into the preassembled step 6,make sure all holes aligned and use screw#4 to attach them , tighten screw #4 with screwdriver#14.



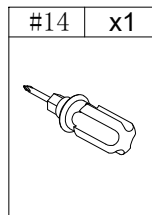
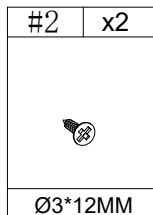
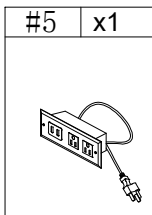
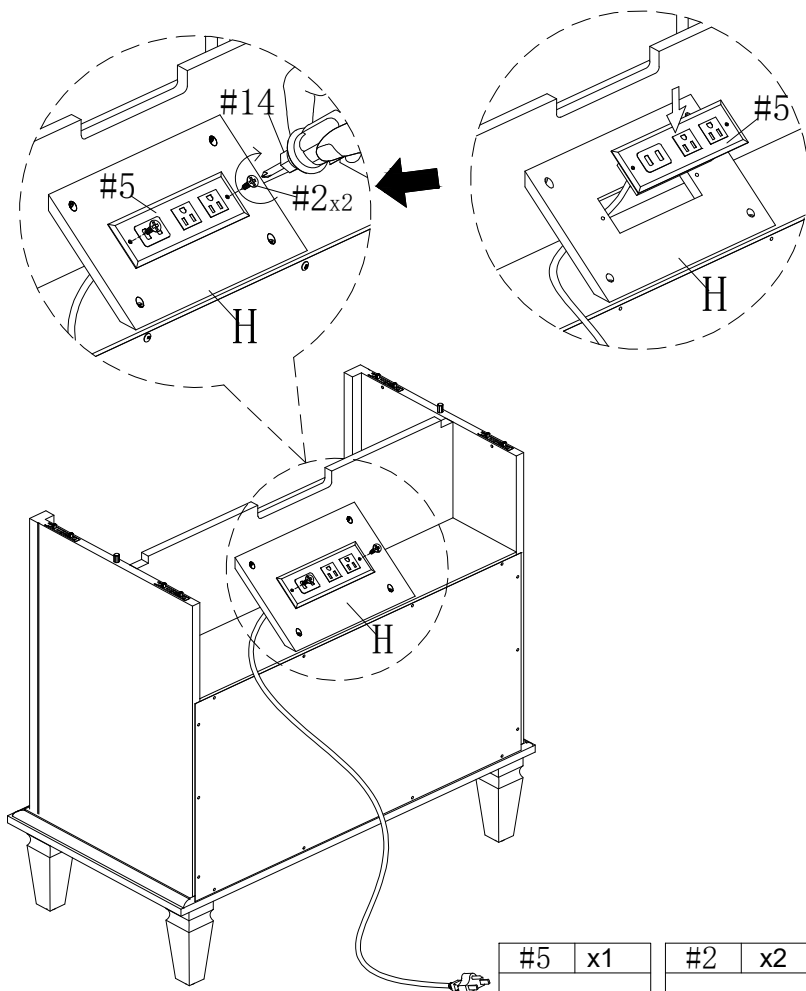
#4	x4
	
Ø4*25MM	

#14	x1
	

ASSEMBLY INSTRUCTIONS

STEP-8

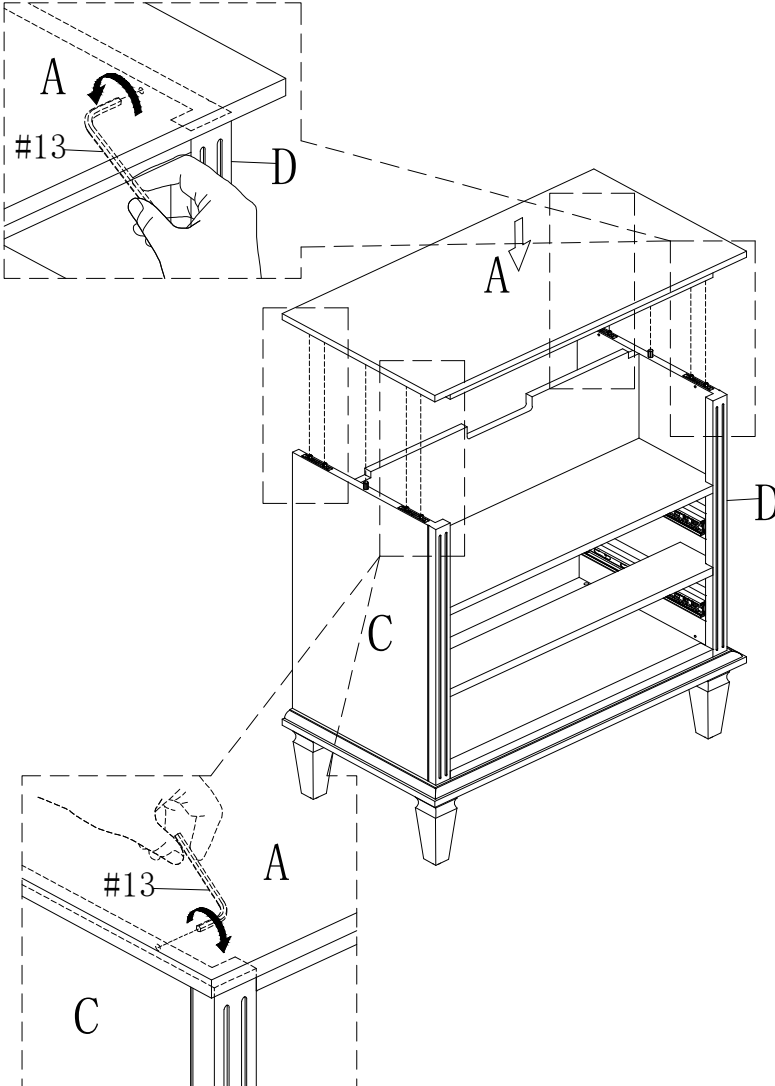
1.insert part #5 into the preassembled step 7,make sure all holes aligned and use screw #2 to attach them , tighten screw #2with screwdriver#14.



ASSEMBLY INSTRUCTIONS

STEP-9

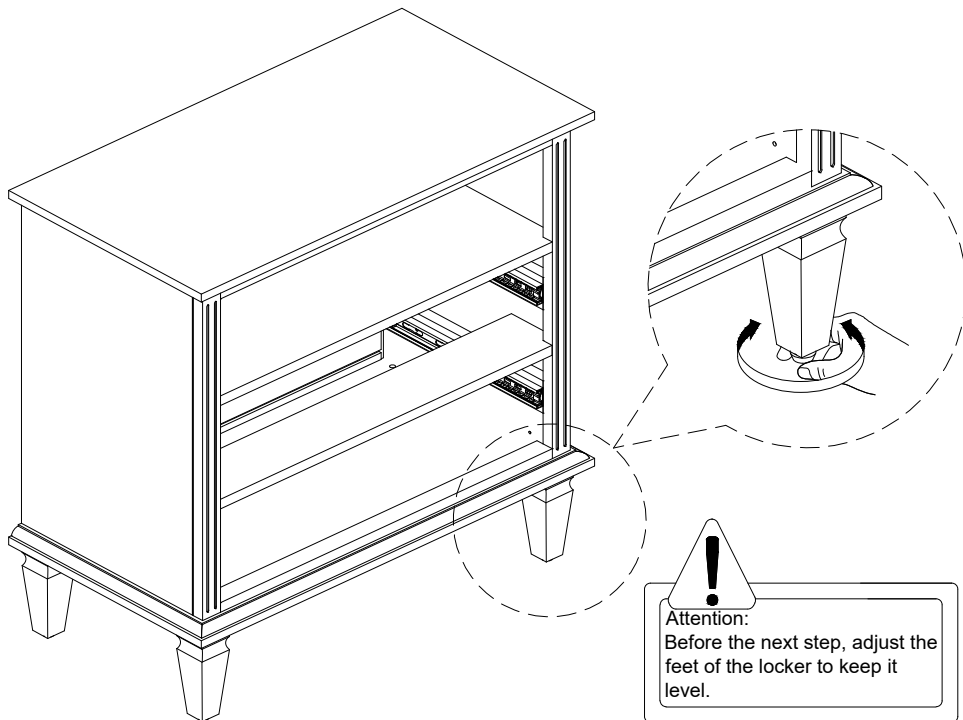
1. Insert the top plate (A) into the corresponding holes in the pre-assembly step 8, make sure all the holes line up and tighten it with a size 13 Allen key as shown in the picture.



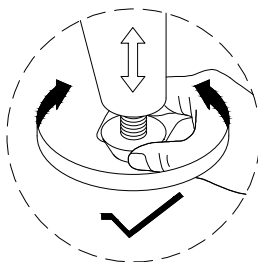
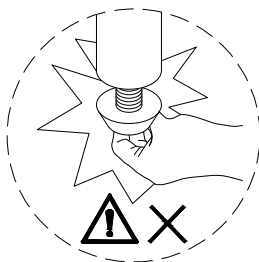
#13	x1
M6	

ASSEMBLY INSTRUCTIONS

STEP-10



Attention:
Before the next step, adjust the feet of the locker to keep it level.

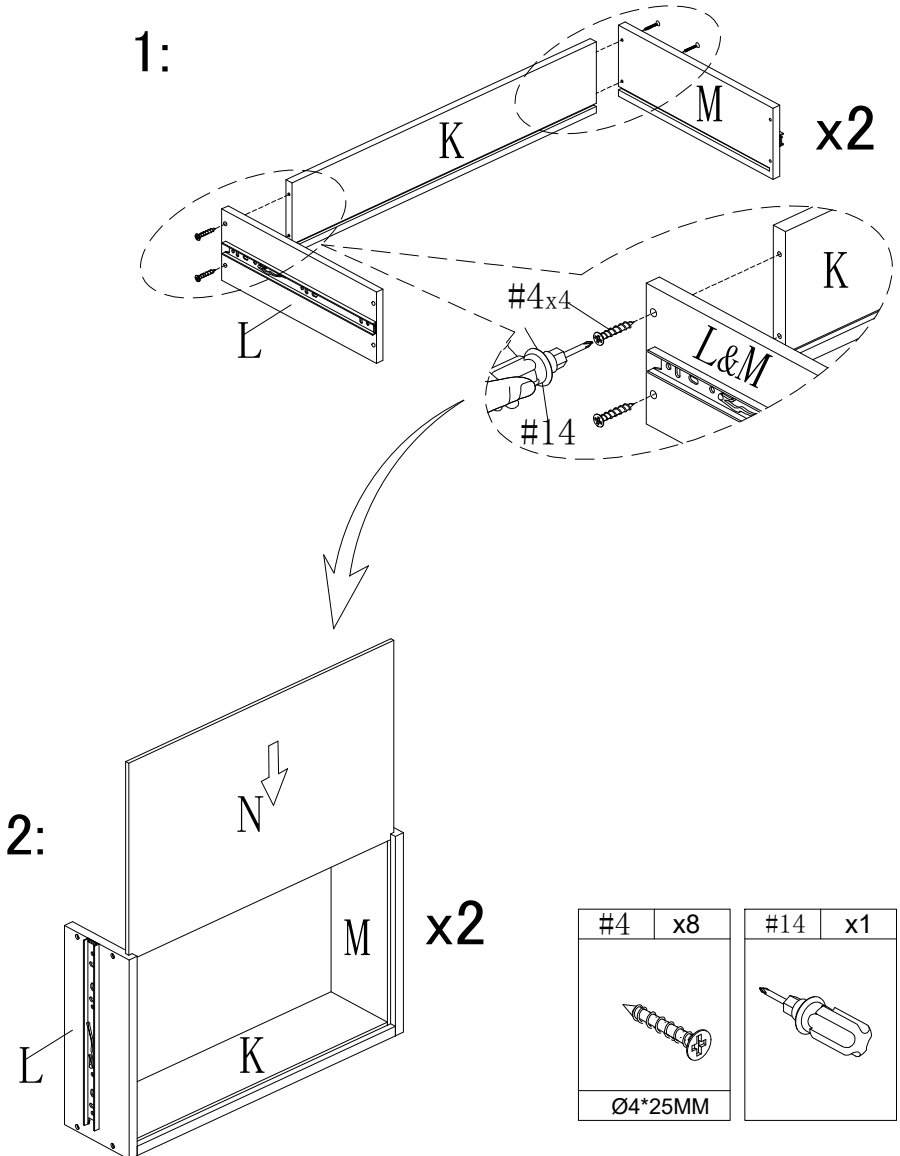


ASSEMBLY INSTRUCTIONS

STEP-11

1. Connect part (L&M) to part K using screw #4 and tighten it with screwdriver #14.

2. slide in the part (N) into the groove in part (L&M). make sure they are also in groove in part (K).

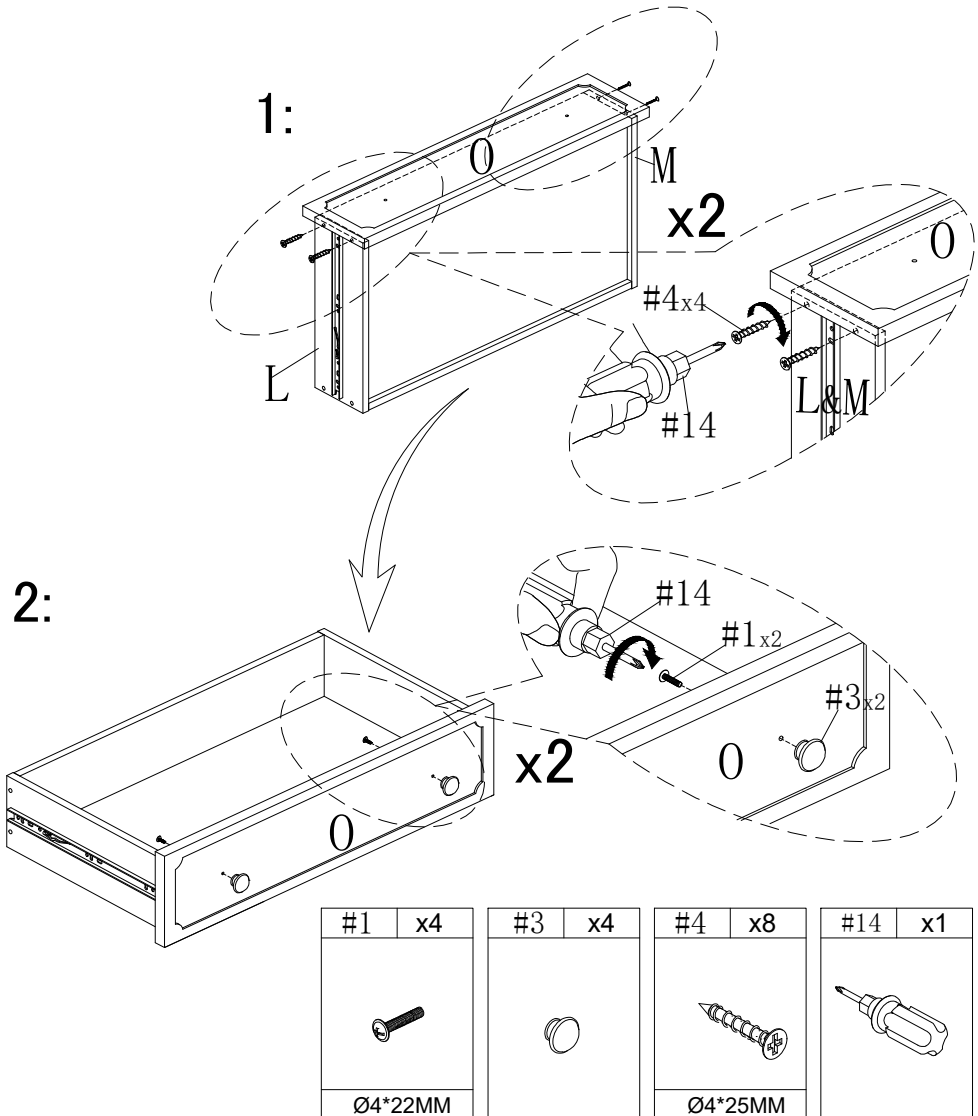


ASSEMBLY INSTRUCTIONS

STEP-12

1. Connect the (O) and (L&M) using screw #4 , and tighten it with screwdriver #14.

2. Install handle #3 to panel (O) using bolt #1 and tighten it with screwdriver #14.

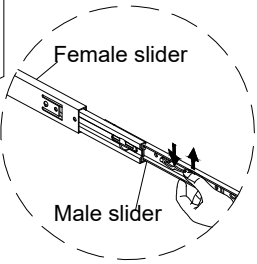
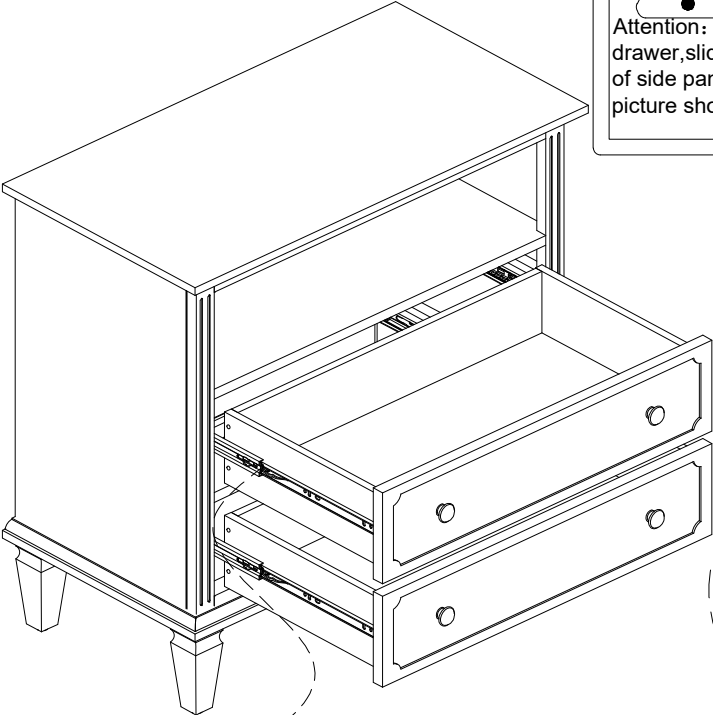


ASSEMBLY INSTRUCTIONS

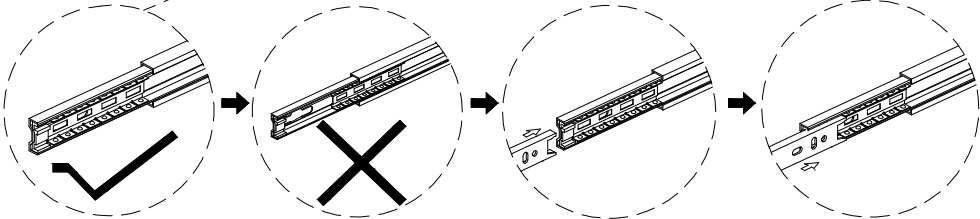
STEP-13



Attention: When installing the drawer, slide the steel ball slide rail of side panel to the most front as picture show.



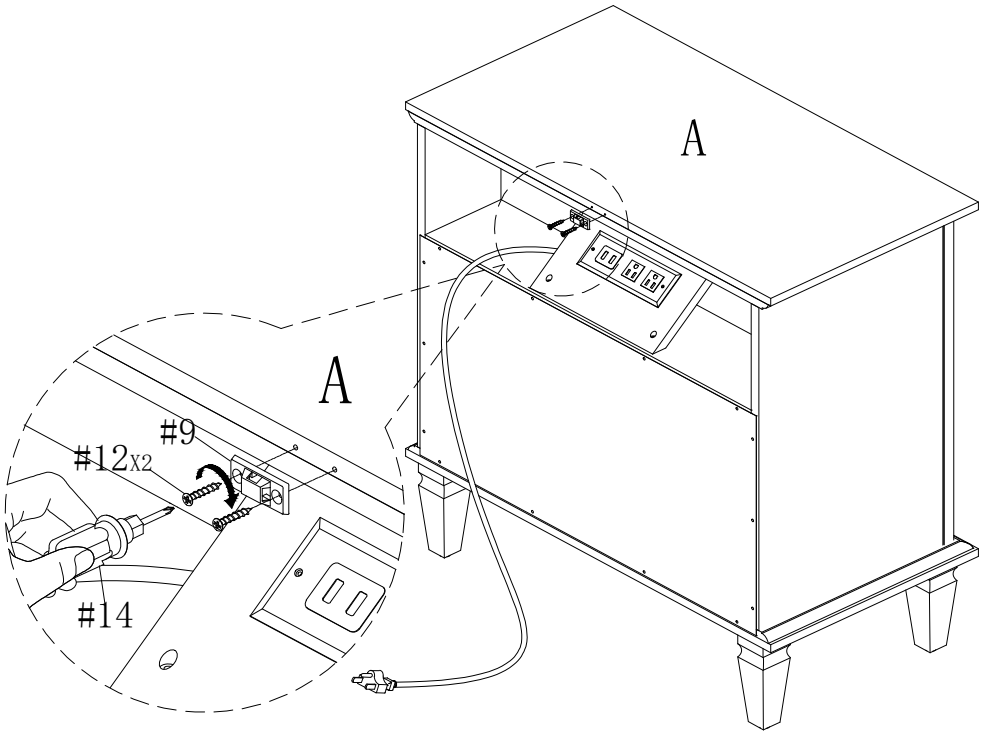
Schematic diagram of slide rail disassembly



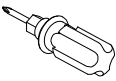


ASSEMBLY INSTRUCTIONS

STEP-14



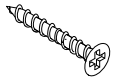
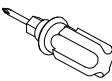
Use screw #12 to attach plastic bracket #9 to panel (A), make sure all holes aligned and tighten screw #12 with screwdriver #14



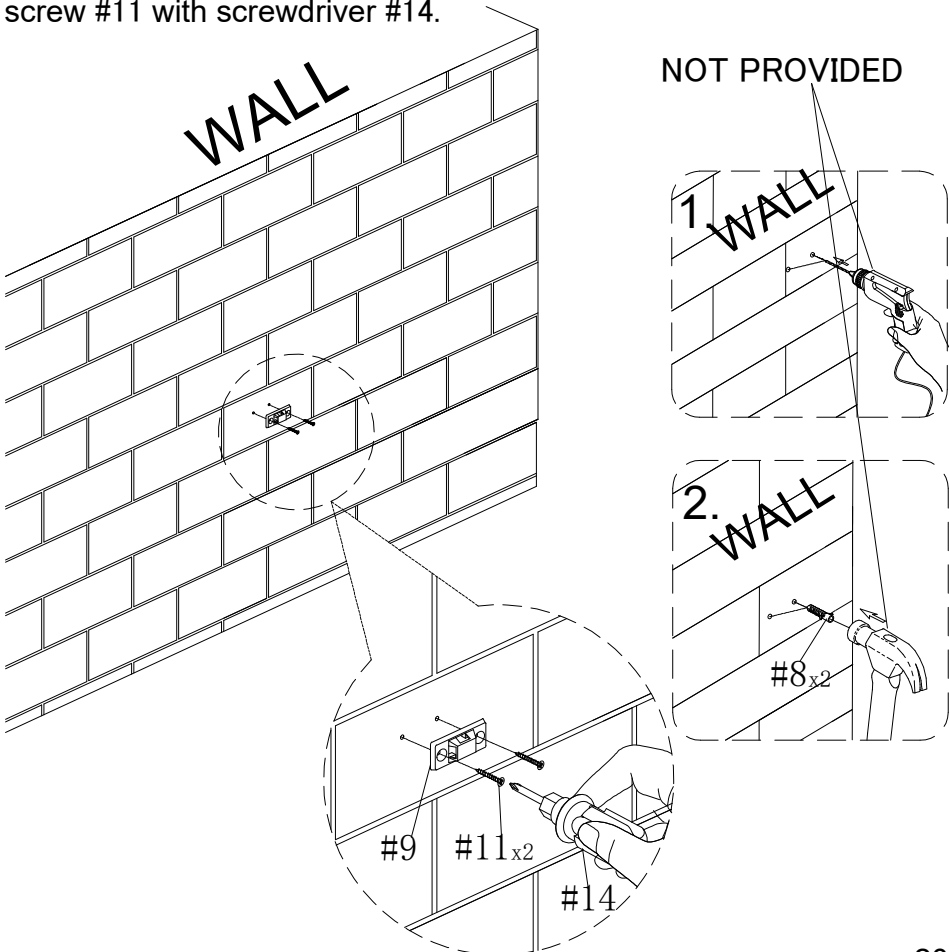
#9	x1	#12	x2	#14	x1
					
		Ø3*20MM			

ASSEMBLY INSTRUCTIONS

STEP-15

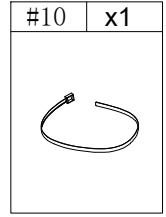
#9	x1	#8	x2	#11	x2	#14	x1
							
				Ø4*39MM			

1. Mark the position on the wall, that corresponds to the location of bracket #9 on the panel A; Drill and insert the expandable screw #8 by hammer.
2. Assemble the bracket #9 to the wall. Align the hole in the bracket #9 with the expandable screw #8, use screw #11 to attach it, tighten screw #11 with screwdriver #14.

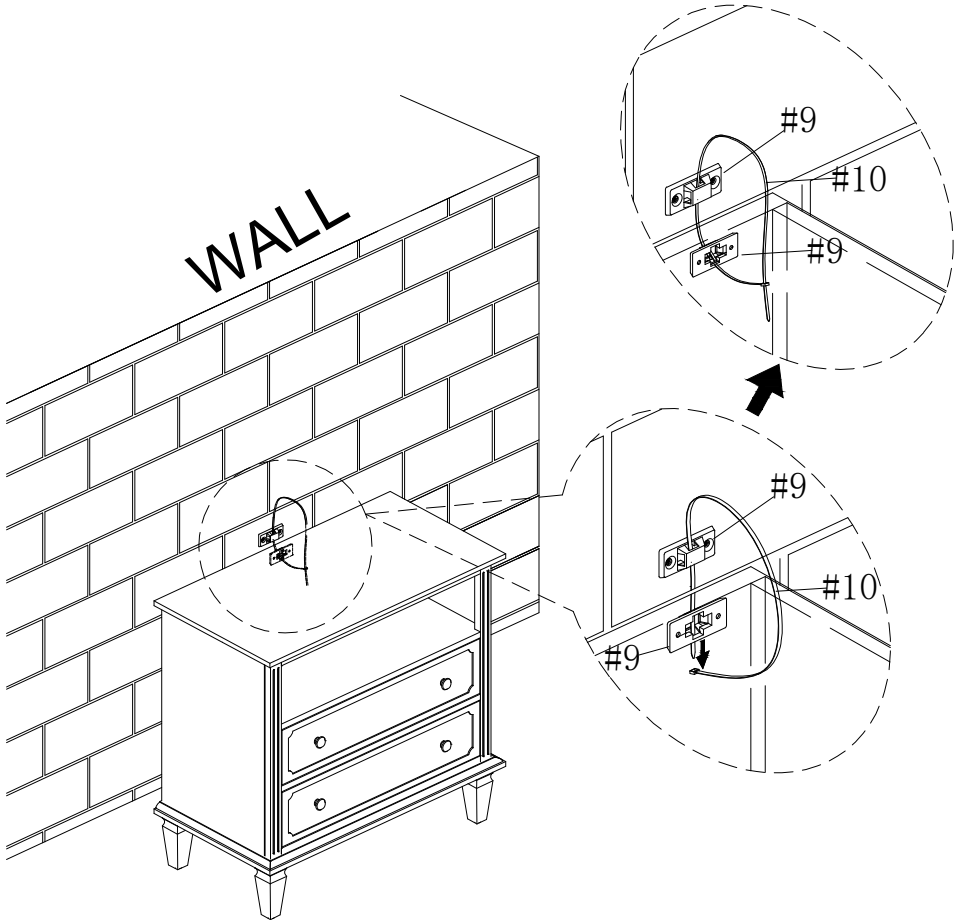


ASSEMBLY INSTRUCTIONS

STEP-16



3. Let the plastic belt #10 pass through bracket #9 and pull tightly.



WARRANTY

1. We strive to offer high-quality products, and we also try our best to satisfy each and every customer that orders from us with product or service as needed.
2. We provide 30 days warranty starting from the time you receive the item. Each customer must provide a record of their order such as the order number, or item receipt for any items that are out of the warranty period you may also still receive.
3. Replacement parts by purchasing them with our company if they are available.

Are you having difficulty
With assembly? Missing parts?
Please send email with your order No to
customerservice@hulalahome.com
For return, please check the return policy with
the retailer or market place you bought from.

Appreciate your purchasing from us.
Pop up your life by our furniture piece!